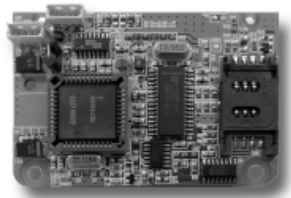


RF Dongle Specification Data

Model: RFC



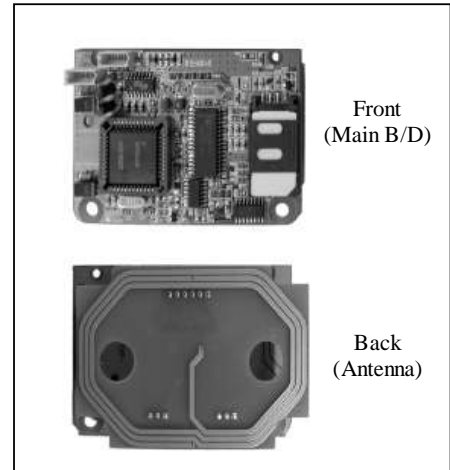
Creation: SCSpro Inc.
Creation Date: 2003. 6. 15
Revision: RFC-A_S_REV 1.1

○ Product Outline

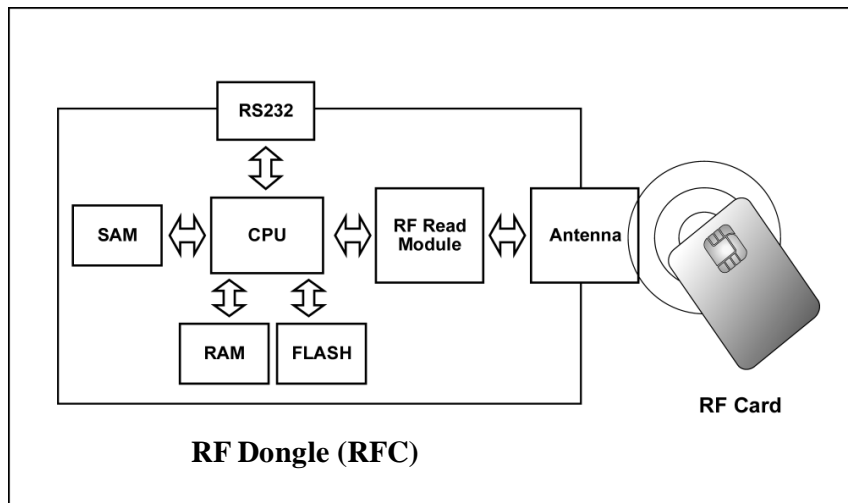
This product is a RF dongle which can read/write contactless RF card. This product supports ISO 14443A & B and is designed to be compatible with Mifare protocol.

○ Product Features

- 41mm of maximum communication distance.
- RS232 serial communication with the HOST (19200bps).
- ISO 14443A & B type compatible.
- MIFARE Protocol compatible.
- Single power supply (5 volts).
- One SAM socket support.
- Test protocol support for development.



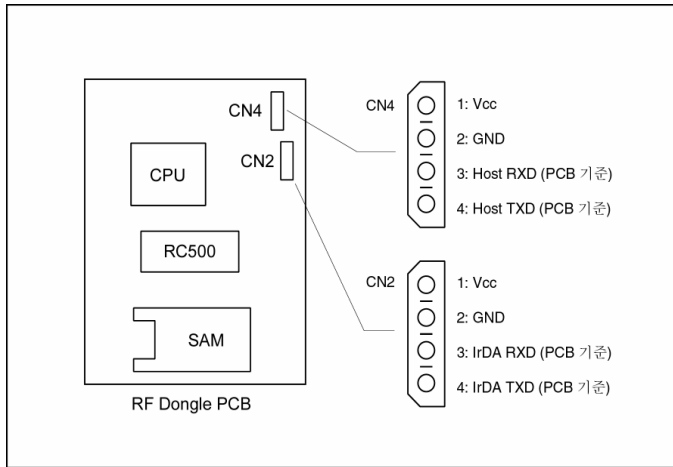
○ Block Diagram



○ Basic Specifications

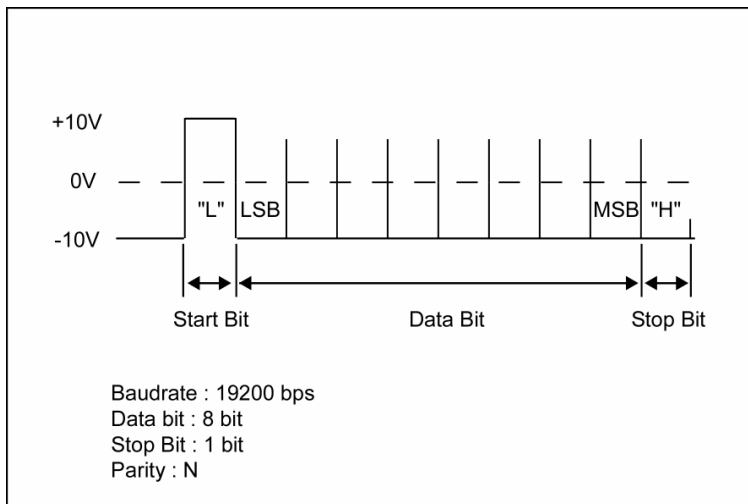
RF Card Standard	ISO 14443 Type A & B (Mifare compatible)			
Operating Frequency	13.56MHz			
Max. Communication Distance	41mm			
Power Supply	DC 5V			
Current	Idle	88mA	Peak	193mA
Operating Environment	Temperature: 0 ~ 50°C, Humidity: 0 ~ 95%			
Dimension	78mm (W) X 53mm (D) X 19mm (H)			
Communication (Host)	RS232C, 19200 bps			
CPU	T89F64 (ATMEL)			

○ Connector Interface (CN2: IrDa Interface, CN4: Host Interface)

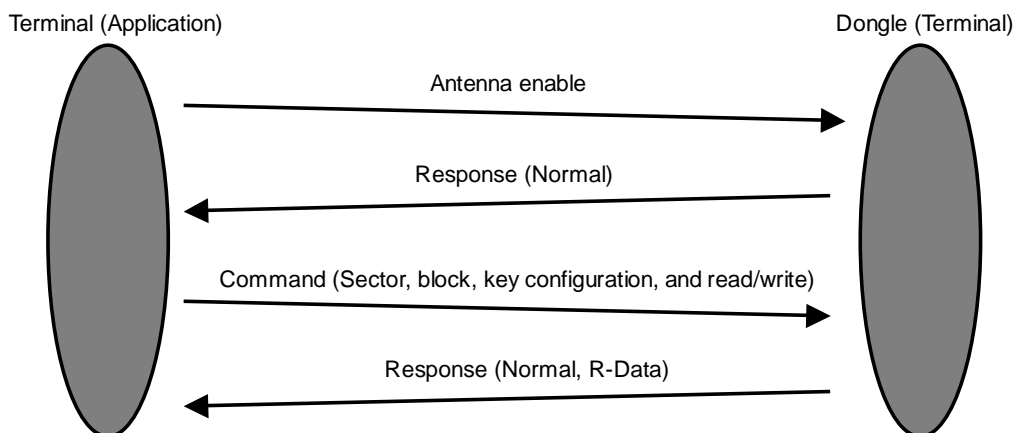


PIN No	Symbol	Description
1	Vcc	+5V
2	GND	
3	RxD	Received Data
4	TxD	Transmitted Data

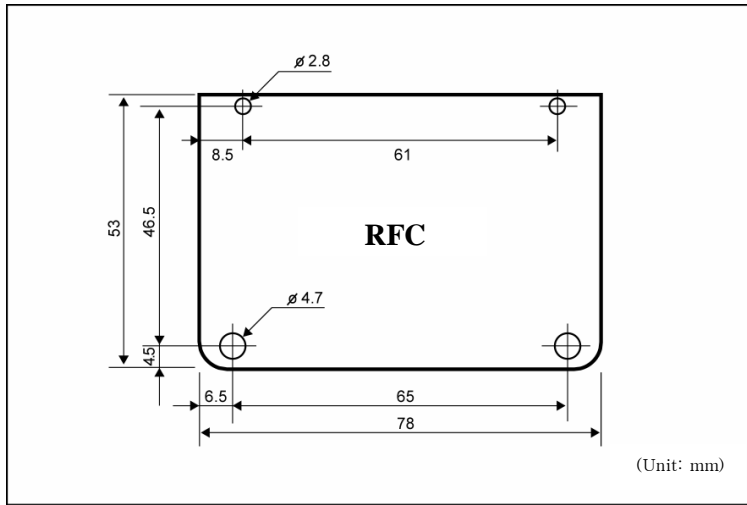
○ Host Interface



○ Host Communication



○ External Dimension



○ Cautions

- Do not insert/remove SAM or disassemble the product while power is supplied. It may cause critical damage to the product.
- Only use 5 volts of power supply. Power supply of different voltage may cause damage to the product.

○ Test Protocol Features

- ISO 14443A & B compatible protocol.
- User configurable Card Sector and Block.
- User configurable authentication KEY.